

CE

EN 12101-1  
EN 13501-1



# Simple Automated Curtain for Smoke Control MSB DH-60/DA-150

[www.tecnitexfire.com](http://www.tecnitexfire.com)



SIMPLE AUTOMATED CURTAIN FOR SMOKE CONTROL

# MSB DH-60/DA-150

**Tecnitex MSB DH-60/DA-150** is an automated mobile curtain made with a continuous form on a single roller designed for the control and channelling of smoke in case of fire. It is an invisible element whose purpose is to create deposits or channels intended for the accumulation or guiding of smoke to areas where it can be evacuated.

## PROTECTIVE PURPOSE

- ◆ Protection and non-penetration of smoke for 60 minutes at 1000 °C (DH-60).
- ◆ Protection and non-penetration of smoke for 150 minutes at 600 °C (DA-150).
- ◆ System on a single roller without overlaps.
- ◆ Adaptable to multiple installation configurations.

## ADVANTAGES

- ◆ Pre-assembled systems.
- ◆ Specific box for corners.

## CHARACTERISTICS

Made up of technical textile reference **450/PU/2** of fibreglass covered on both sides with polyurethane, a flame retardant material which facilitates the manipulation of the textile while providing greater rigidity, non-penetration of smoke, and preventing it from fraying. This material is also water repellent and has great resistance to cutting and acids.

## OPTIONAL

- ◆ Specific supports.
- ◆ Finished in choice of RAL colours.



◆ DOUBLE BOX

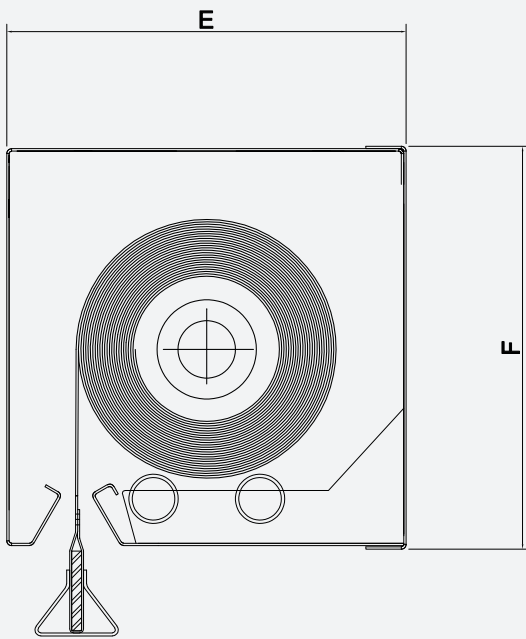
◆ SIMPLE BOX

# Exploded view

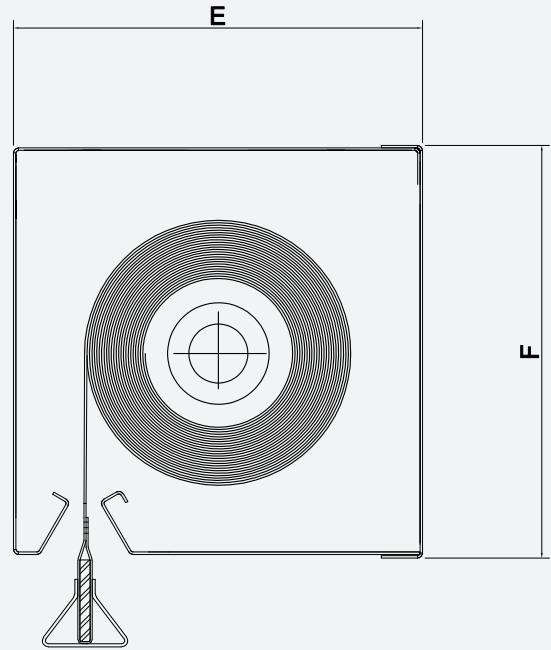
- 1** | Housing, depending on model, made from galvanised sheet metal.
- 2** | Removable supports for forming the box and holding the roller (depending on model). Front and lower openings made with rounded edges without sharp edges or corners.
- 3** | Roller with ogive for rolling the textile.
- 4** | SMK motor depending on model with "TGFS" (Total Gravity Controlled Fail Safe Solution) technology.
- 5** | Lateral guides with fabric holding system on the whole vertical side.
- 6** | Textile holding system on the whole vertical side of the curtain for proper isolation of fire and smoke. (optional)
- 7** | Technical fibreglass textile with different finishes depending on model and classification of the system.
- 8** | Counterweight in various finishes and sizes for proper adaptation to the box or suspended ceilings.

SIMPLE BOX OPTIONS

# Series R



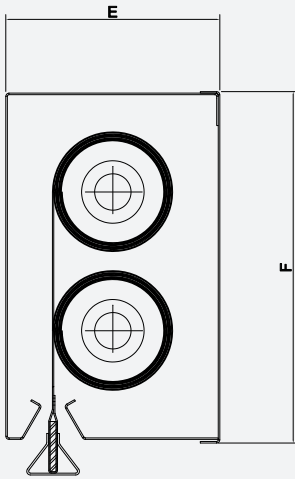
# Series S



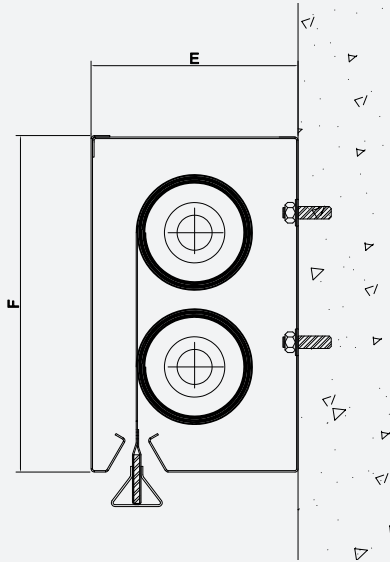
BOX	MAXIMUM DIMENSIONS (A) mm		BOX DIMENSIONS (E/F) mm
SERIES-S22	Up to 5500 wide (depending on height)		220x220
SERIES-S22	Up to 8000 high for a max. width of 3500		220x220
BOX	MAXIMUM DIMENSIONS		BOX DIMENSIONS (E/F) mm
	WIDTH (A) mm	HEIGHT (B) mm	
SERIES-R22	12000	6500	220x220
SERIES-R24	12000	8000	240x260

DOUBLE BOX OPTIONS

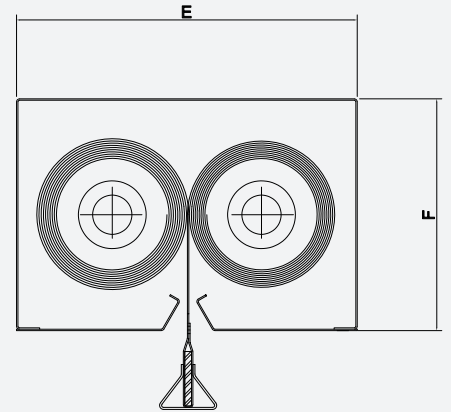
# Series V



# Series VF



# Series H



BOX	MAXIMUM DIMENSIONS		BOX DIMENSIONS (E/F) mm
	WIDTH (A) mm	HEIGHT (B) mm	
SERIES-H	N/A	Up to 6000	250x170
SERIES-Hxl	N/A	≥ 6000	300x220
BOX	MAXIMUM DIMENSIONS		BOX DIMENSIONS (E/F) mm
	WIDTH (A) mm	HEIGHT (B) mm	
SERIES-V	N/A	Up to 6000	170x280
SERIES-Vxl	N/A	≥ 6000	220x380
BOX	MAXIMUM DIMENSIONS		BOX DIMENSIONS (E/F) mm
	WIDTH (A) mm	HEIGHT (B) mm	
SERIES-VF	N/A	Up to 6000	170x280
SERIES-VFxl	N/A	≥ 6000	220x380

# Closure options

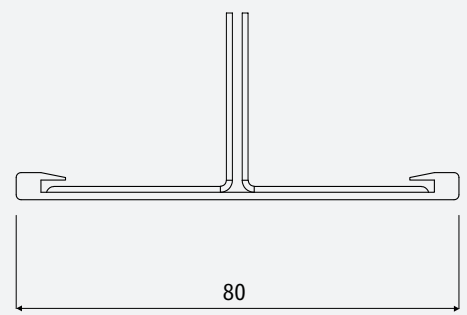
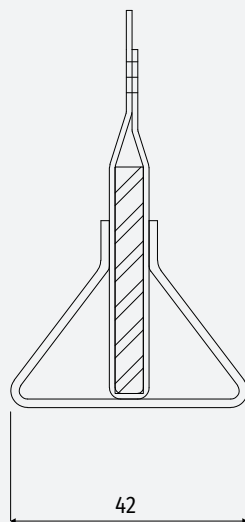
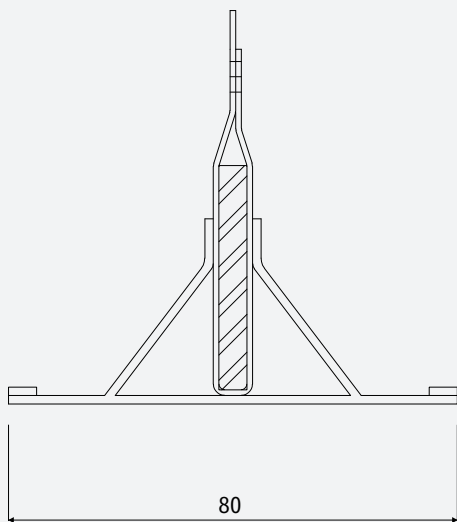
## ◆ INVERTED COVER



## ◆ WIDE FLANGE TRIM

## ◆ STANDARD TRIM

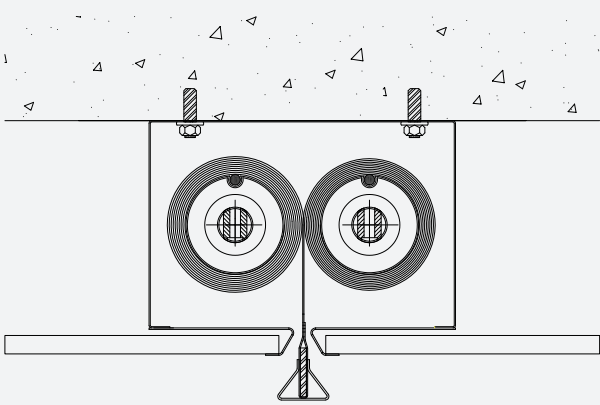
## ◆ FLAT TRIM



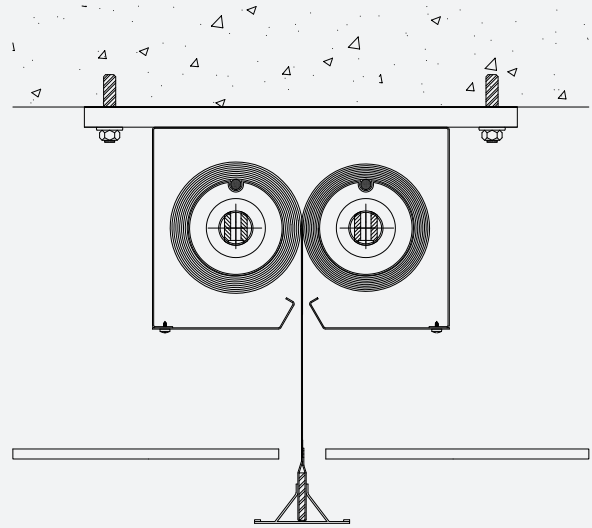
GUIDES	MAXIMUM DIMENSIONS		GUIDE DIMENSIONS (H/G) mm
	WIDTH (A) mm	HEIGHT (B) mm	
SG-120	12000	Up to 4500	70x120
SG-130	12000	> 4500	70x130

# Types of fixing

◆ OPTION TI INVERTED FOR FALSE CEILING



◆ FALSE CEILING HANGING



◆ WALL

