

CE

EN 1634-1
EN 15269-11
EN 16034-1



Fire Curtain System MFB EW-120

www.tecnitexfire.com



FIRE CURTAIN SYSTEM

MFB EW-120

TECNITEX MFB EW-120 is a fire curtain with low thermal emissivity which, in case of fire, prevents the spread of flames, in addition to ignition of elements located at a safe distance by radiation.

PROTECTIVE PURPOSE

- ◆ 120 minute fire resistance at over 1000°C (Integrity).
- ◆ Low emission of radiation for 120 minutes at 1000°C $\leq 15\text{Kw}/\text{m}^2$.
- ◆ Large dimensions..

CHARACTERISTICS

The system is made up of technical textile reference **TECTEX 1120-IT/IN/L2**, made from class E fibreglass reinforced with steel Inconel, covered with aluminium foil on both sides, acting as an element to limit thermal radiation.

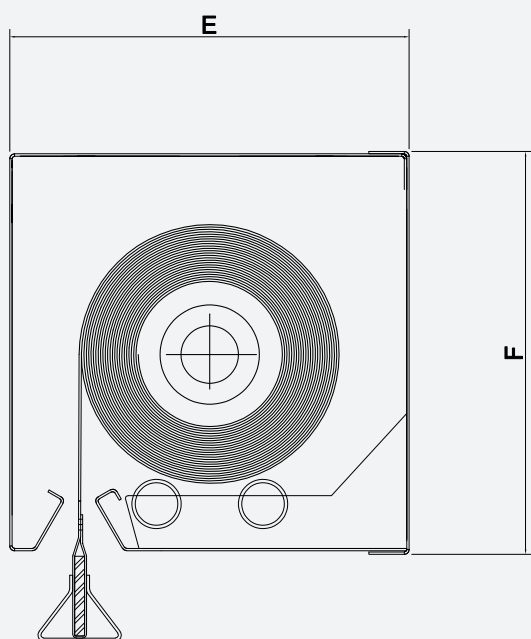


Exploded view

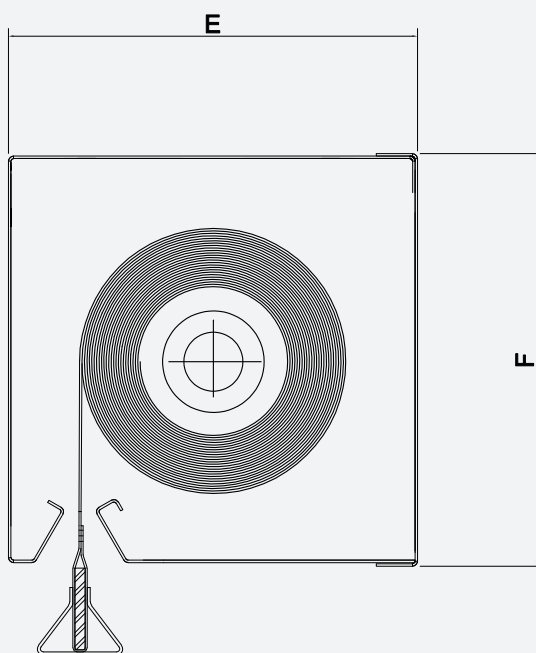
- 1** | Housing, depending on model, made from galvanised sheet metal.
- 2** | Removable supports for forming the box and holding the roller (depending on model). Front and lower openings made with rounded edges without sharp edges or corners.
- 3** | Roller with ogive for rolling the textile.
- 4** | SMK motor depending on model with "TGFS" (Total Gravity Controlled Fail Safe Solution) technology.
- 5** | Lateral guides with fabric holding system on the whole vertical side.
- 6** | Textile holding system on the whole vertical side of the curtain for proper isolation of fire and smoke.
- 7** | Technical fibreglass textile with different finishes depending on model and classification of the system.
- 8** | Counterweight in various finishes and sizes for proper adaptation to the box or suspended ceilings.

Box options

Series R



Series S



BOX	MAXIMUM DIMENSIONS		BOX DIMENSIONS (E/F) mm
	WIDTH (A) mm	HEIGHT (B) mm	
SERIES-S22	4500	3500	240x260
SERIES-S24	4500	6500	260x300
BOX	MAXIMUM DIMENSIONS		BOX DIMENSIONS (E/F) mm
	WIDTH (A) mm	HEIGHT (B) mm	
SERIES-R22	12000	3500	240x260
SERIES-R24	12000	6500	260x300

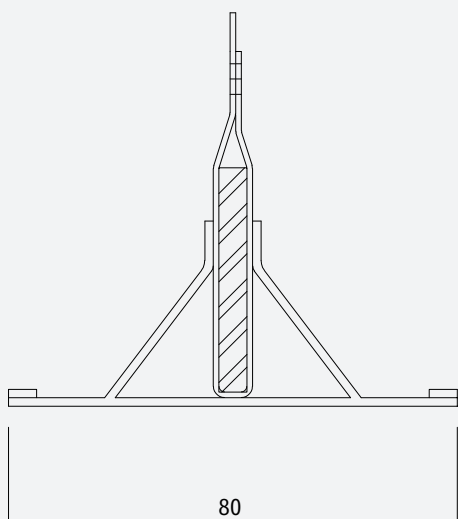
*Ask for other dimensions

Options

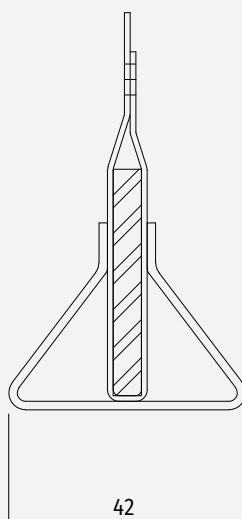
◆ INVERTED COVER



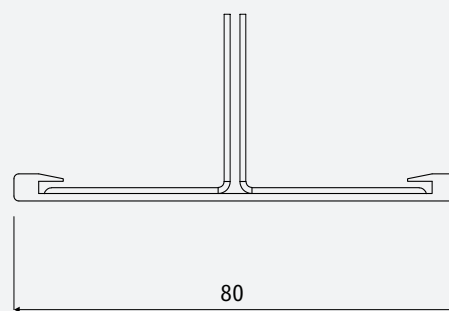
◆ WIDE FLANGE TRIM



◆ STANDARD TRIM



◆ FLAT TRIM



GUIDES	MAXIMUM DIMENSIONS		GUIDE DIMENSIONS (H/G) mm
	WIDTH (A) mm	HEIGHT (B) mm	
SG-120	12000	Up to 4500	70x120
SG-130	12000	> 4500	70x130

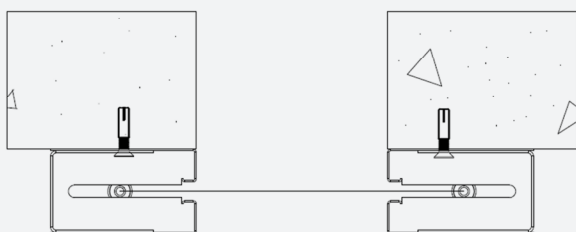
Extras

- ◆ RAL to choose
- ◆ Emergency buttons
- ◆ Photocells
- ◆ Limit switches
- ◆ Special control panel programming

Types of fixing

Guides

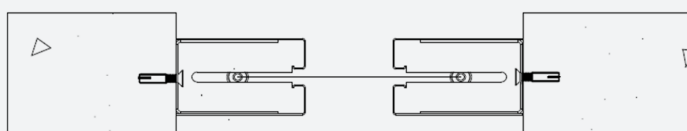
◆ FRONT



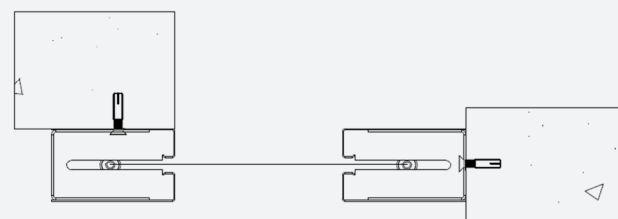
◆ FLUSH-MOUNTED



◆ INSIDE

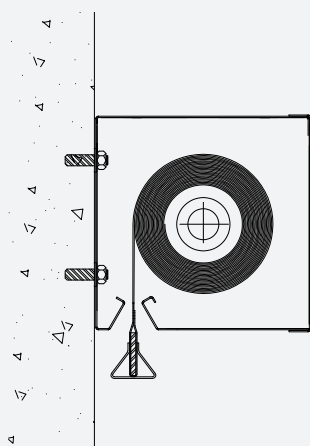


◆ MIXED



Boxes

◆ FRONT



◆ WROUGHT

