

CE

EN 1634-1
EN 15269-11
EN 16034-1



Fire Curtain System MFB E-120



www.tecnitexfire.com



FIRE CURTAIN SYSTEM

MFB E-120

TECNITEX MFB E-120 is a fire curtain with a sectorised function which guarantees its integrity against direct flames or a temperature of over 1000°C for 120 minutes.

PROTECTIVE PURPOSE

- ◆ Preventing the propagation of flames to the neighbouring sector.
- ◆ Fire resistance for 120 minutes at over 1000°C (Integrity).
- ◆ Large dimensions of up to 12000 x 8000mm (Width/Height).

CHARACTERISTICS

The system is made up of technical textile reference **TECTEX 710-PU/IN-2**, made from class E fiberglass reinforced with steel Inconel, covered with a flame retardant polyurethane compound on both sides.

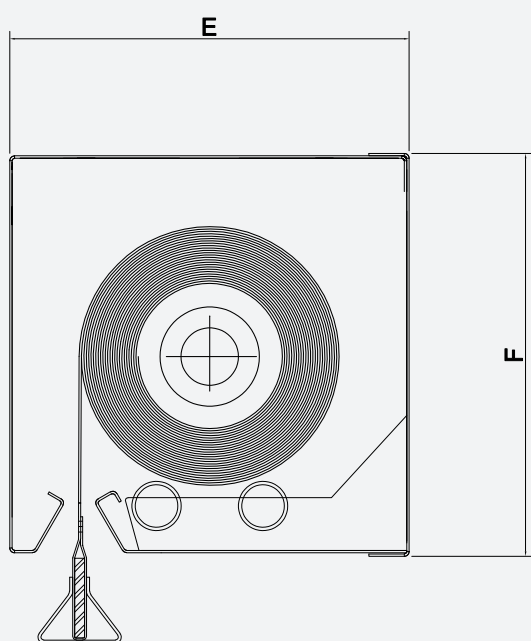


Exploded view

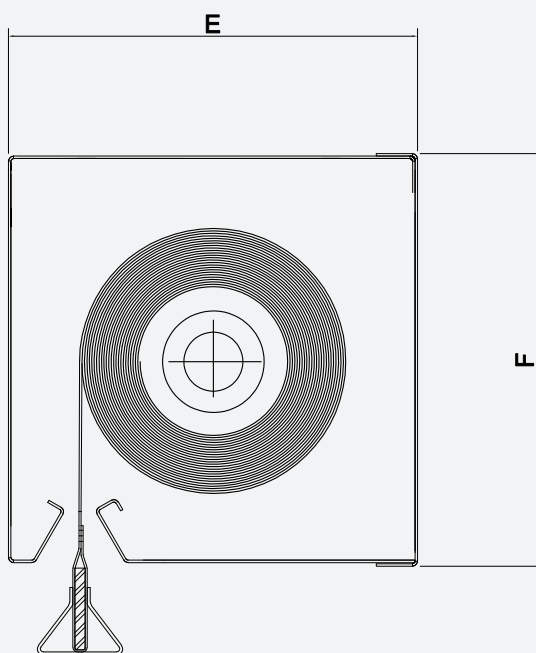
- 1** | Housing, depending on model, made from galvanised-sheet metal.
- 2** | Removable supports for forming the box and holding the roller (depending on model). Front and lower openings made with rounded edges without sharp edges or corners.
- 3** | Roller with ogive for rolling the textile.
- 4** | SMK motor depending on model with "TGFS" (Total Gravity Controlled Fail Safe Solution).
- 5** | Lateral guides with fabric holding system on the whole vertical side.
- 6** | Textile holding system on the whole vertical side of the curtain for proper isolation of fire and smoke.
- 7** | Technical fibreglass textile with different finishes depending on model and classification of the system.
- 8** | Counterweight in various finishes and sizes for proper adaptation to the box or suspended ceilings.

Box options

Series R



Series S



BOX	MAXIMUM DIMENSIONS (A) mm		BOX DIMENSIONS (E/F) mm
SERIE-S22	Up to 5500 wide (depending on height)		220x220
SERIE-S22	Up to 8000 high for max. width of 3500		220x220
BOX	MAXIMUM DIMENSIONS		BOX DIMENSIONS (E/F) mm
	WIDTH (A) mm	HEIGHT (B) mm	
SERIE-R22	12000	6500	220x220
SERIE-R24	12000	8000	240x260

Options

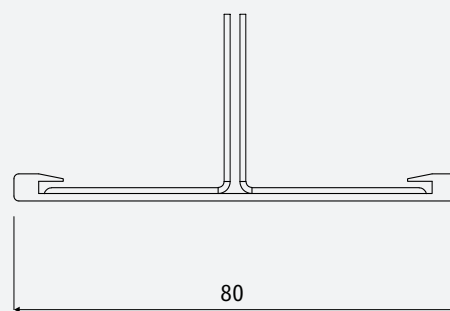
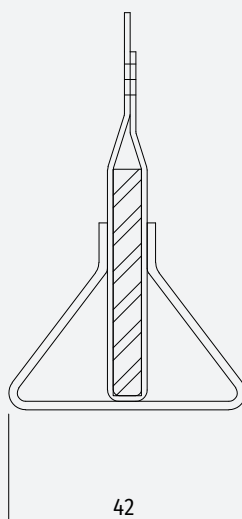
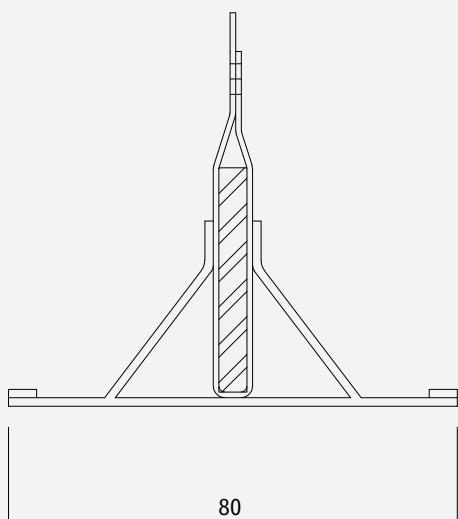
◆ INVERTED COVER



◆ WIDE FLANGE TRIM

◆ STANDARD TRIM

◆ FLAT TRIM



GUIDES	MAXIMUM DIMENSIONS		GUIDE DIMENSIONS (H/G) mm
	WIDTH (A) mm	HEIGHT (B) mm	
SG-120	12000	Up to 4500	70x120
SG-130	12000	> 4500	70x130

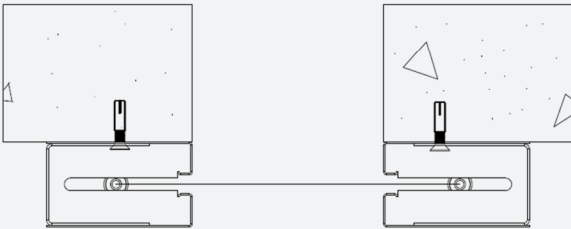
Extras

- ◆ RAL to choose
- ◆ Emergency buttons
- ◆ Photocells
- ◆ Limit switches
- ◆ Special control panel programming

Types of fixing

Guides

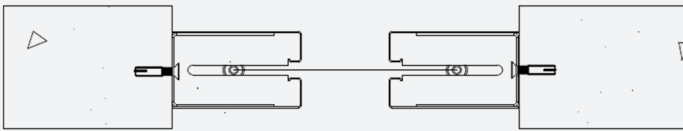
◆ FRONT



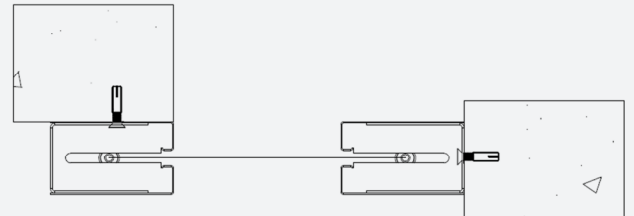
◆ EMBEDDED



◆ INSIDE

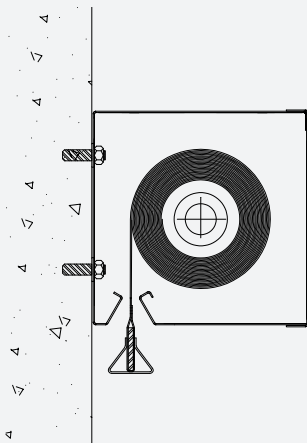


◆ MIXED



Box

◆ FRONT



◆ WROUGHT

