



EN 1634-1
EN 15269-11



Fire Curtain System MFB EI-180

www.tecnitexfire.com



FIRE CURTAIN SYSTEM

MFB EI-180

TECNITEX MFB EI-180 is an irrigated fire curtain for control and sectorisation in case of fire. It is an automated system which has been designed to guarantee integrity, thermal insulation and non-penetration of smoke for over 180 minutes at temperatures of 1000°C.

PROTECTIVE PURPOSE

- ◆ Temperature of non-exposed side under 140°C (Isolation).
- ◆ 180 minute fire resistance at over 1000°C (Integrity).
- ◆ Large dimensions of up to 22000 x 17000mm (Width/Height).

CHARACTERISTICS

The system is made up of technical textile reference **TECTEX 710- PU/IN/2**, made from class E fibreglass reinforced with steel Inconel, covered with a flame retardant polyurethane compound on both sides.

Irrigation system through open nozzles, activation by electrovalve, or closed sprinklers, activation by thermal fuse.

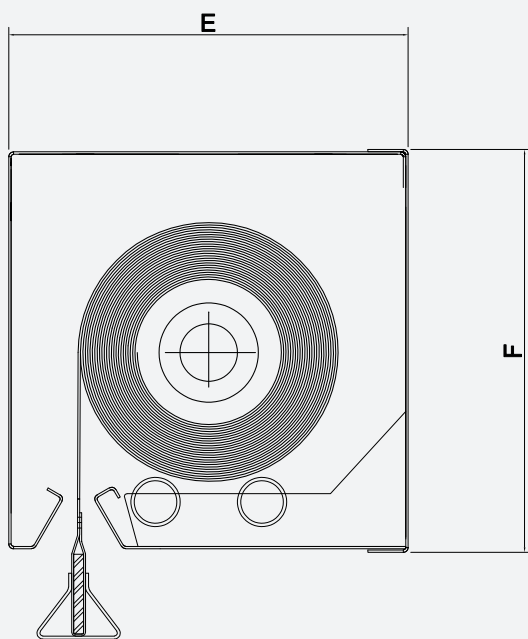


Exploded view

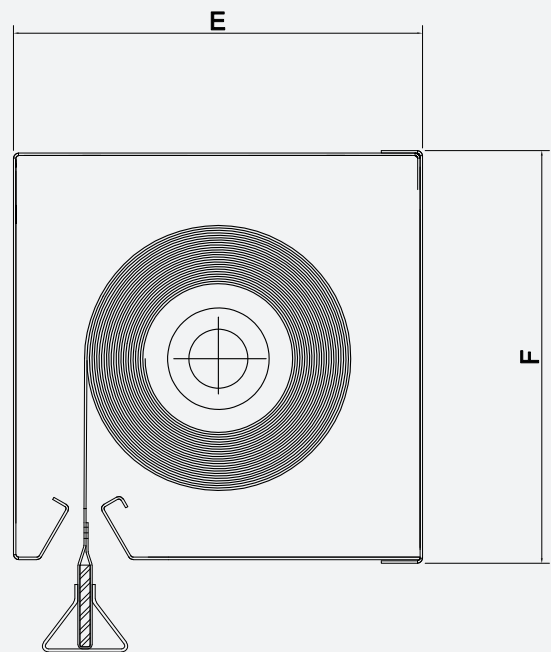
- 1** | Housing, depending on model, made from galvanised sheet metal.
- 2** | Removable supports for forming the box and holding the roller (depending on model). Front and lower openings made with rounded edges without sharp edges or corners.
- 3** | Roller with ogive for rolling the textile.
- 4** | SMK motor depending on model with "TGFS" (Total Gravity Controlled Fail Safe Solution) technology.
- 5** | Lateral guides with fabric holding system on the whole vertical side.
- 6** | Textile holding system on the whole vertical side of the curtain for proper isolation of fire and smoke.
- 7** | Technical fibreglass textile with different finishes depending on model and classification of the system.
- 8** | Counterweight in various finishes and sizes for proper adaptation to the box or suspended ceilings.

Box options

Series R



Series S



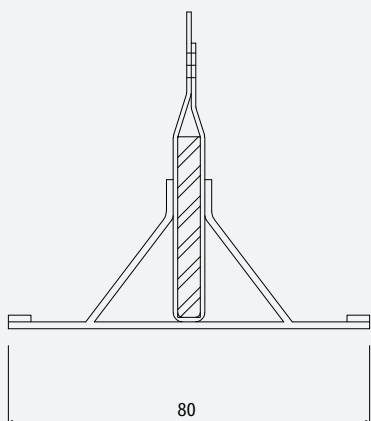
BOX	MAXIMUM DIMENSIONS (A) mm		BOX DIMENSIONS (E/F) mm
SERIES-S22	Up to 5500 wide (depending on height)		220x220
SERIES-S22	Up to 8000 high for max. width of 3500		220x220
BOX	MAXIMUM DIMENSIONS		BOX DIMENSIONS (E/F) mm
	WIDTH (A) mm	HEIGHT (B) mm	
SERIES-R22	12000	6500	220x220
SERIES-R24	12000	8000	240x260

Options

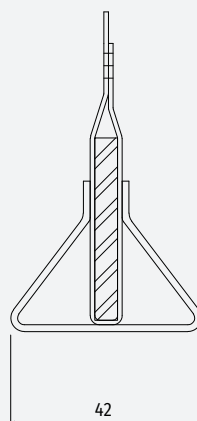
◆ INVERTED COVER



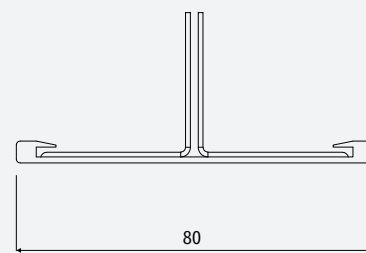
◆ WIDE FLANGE TRIM



◆ STANDARD TRIM



◆ FLAT TRIM



GUIDES	MAXIMUM DIMENSIONS		GUIDE DIMENSIONS (H/G) mm
	WIDTH (A) mm	HEIGHT (B) mm	
SG-120	12000	Up to 4500	70x120
SG-130	12000	> 4500	70x130

*Note: larger dimensions on request

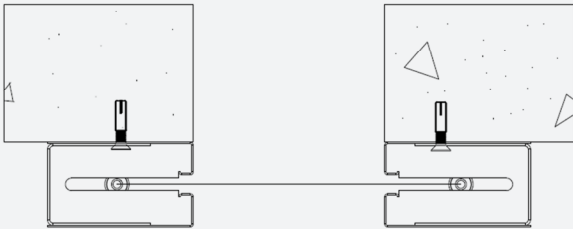
Extras

- ◆ RAL to choose
- ◆ Emergency buttons
- ◆ Photocells
- ◆ Limit switches
- ◆ Special control panel programming

Types of fixing

Guides

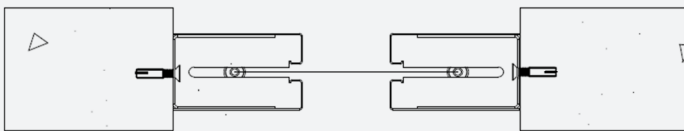
◆ FRONT



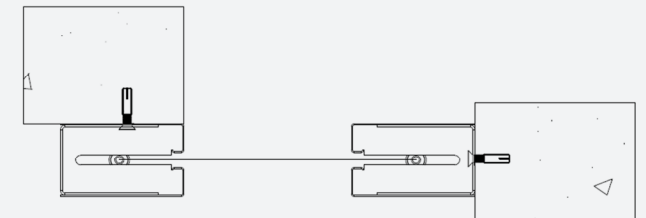
◆ FLUSH-MOUNTED



◆ INSIDE

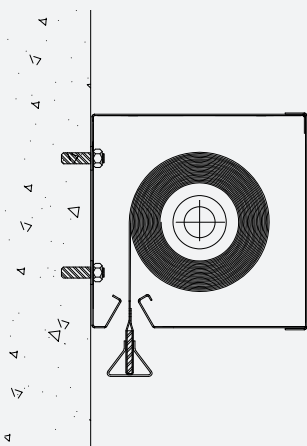


◆ MIXED



Boxes

◆ FRONT



◆ CEILING

